

Mounting the Unit

The recommended way of mounting is to screw the unit to a wooden surface using the #4 wood screw included. Be careful not to trap any wires underneath the unit.

Limited Warranty

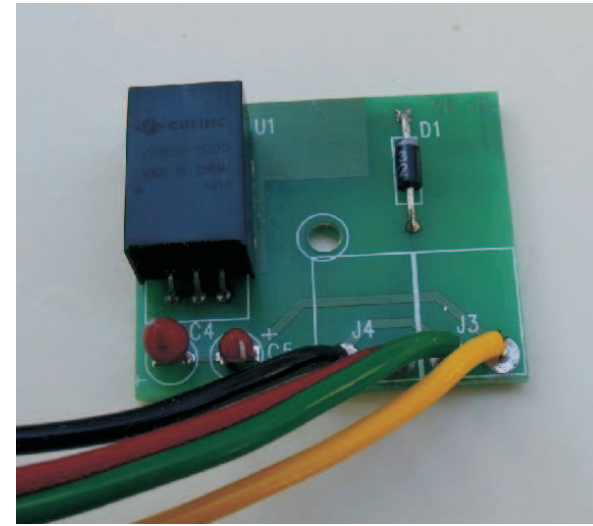
This product is warranted against defects in parts or workmanship for a period of 1 year from date of purchase. EA Electronics does not assume any liability arising out of the use of this product.

This warranty is void if the product has been physically damaged or has been connected to a power source with the positive and negative wires reversed or operated above the maximum voltage. Any user modifications to the unit will void this warranty.

Technical Support

Technical support is available by calling:
905-619-1813 (Monday to Friday - 7 pm to 10 p.m. E.S.T.)
or contact us by E-MAIL at eeelec@sympatico.ca

EA Electronics
8 Maple St., Ajax, Ontario
Canada L1S 1V6 (905) 619-1813
E-MAIL: eeelec@sympatico.ca



VRS-5V USER'S MANUAL

VRS-5V
Voltage Regulator / Battery Eliminator
With 5 Volt Output

Made in Canada by:
EA Electronics
8 Maple St., Ajax, Ontario
Canada L1S 1V6 (905) 619-1813
www.eaelec.com

Introduction

The VRS-5.0 is a switching voltage regulator / battery eliminator with a fixed 5 volt output. The VRS-5.0 can deliver up to 1 amp output.

VRS-5.0 Specifications

Input voltage range: 7.5 to 28 volts DC.

Output voltage: 5 volts (+ or - 5%):

Drop-out threshold (Vin-Vout): 2.5 volts.

Max Output current: 1 amp

Short-Circuit current protection and thermal cutoff

Reverse battery protection

One year limited warranty.

Size:

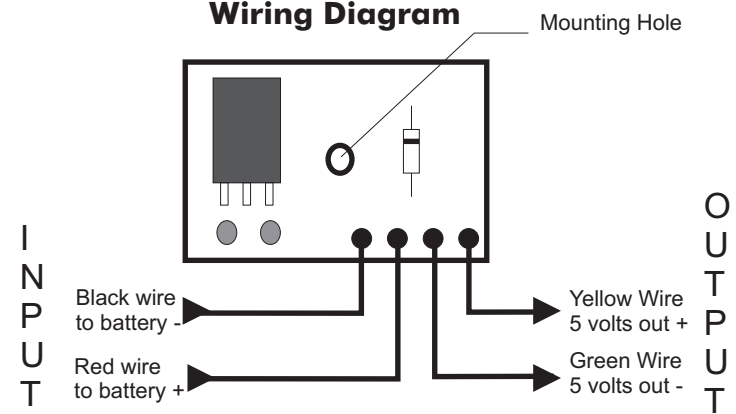
1.4" x 1.32" x 0.5"

35mm x 33 mm x 8 mm.

Operating Limitations

Input Voltage - if the input voltage drops below 7.5 volts, the regulator will not function properly, i.e. the output voltage will drop. Operating the unit at input voltages about 28 volts can damage unit.

Wiring Diagram



Typical Application:
Running RC receiver From a 12 volt battery

